

Edition: 02/04 - subject to change

Substitutes: 08/01
Status: valid

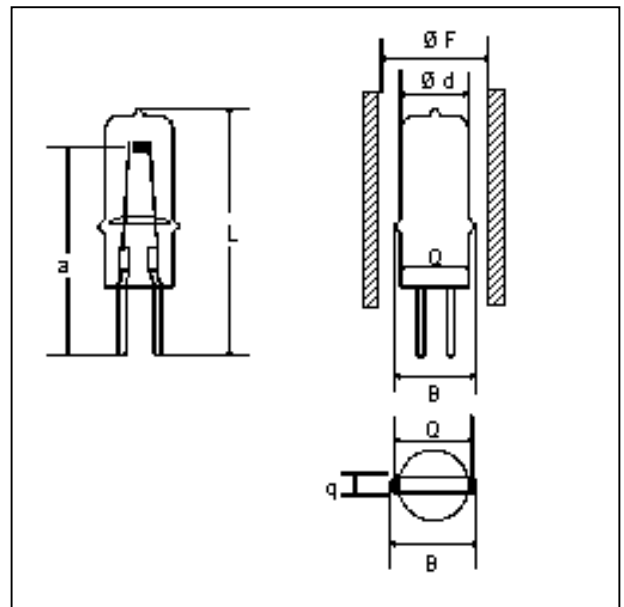
64250 HLX

■ Product description

The OSRAM 64250 HLX is a tungsten halogen low voltage lamp which is used for projection.

■ Technical data

Order reference	HLX 64250	
ANSI	ESB	
LIF	M/30	
Rated lamp wattage	W	20
Rated lamp voltage	V	6
Average service life	h	100
Color temperature	K	3200
Luminous flux	lm	480
Base	G4	
Diameter d	mm	9
Lamp length (overall) L	mm	31 max.
LCL a	mm	19.5 ± 0.25
Pinch Width B	mm	11 max.
Q	mm	10 max.
q	5 max.	
Filament dimensions (w x h)	mm	ca. 2.4 x 0.8
Type of filament	Round-core C-6	
Deviation from base axis not more than :	mm	0.8



■ Lamp operation

Maximum allowed temperature on molybdenum foils	°C	400
Burning position	s90	
Further	F denotes minimum free space required due to the size of the lamp. In practice a greater free space may be necessary to get heat emission under control. (min. 12 mm)	